

**11. Construction Drawings**

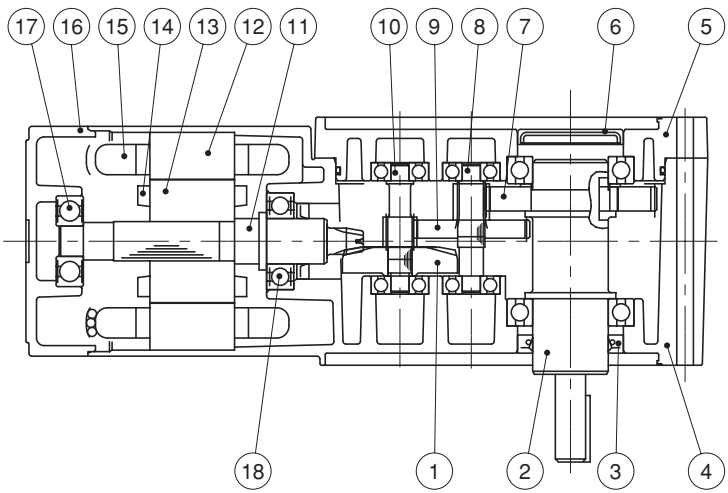


Fig.44 RNFM0025-01L-240

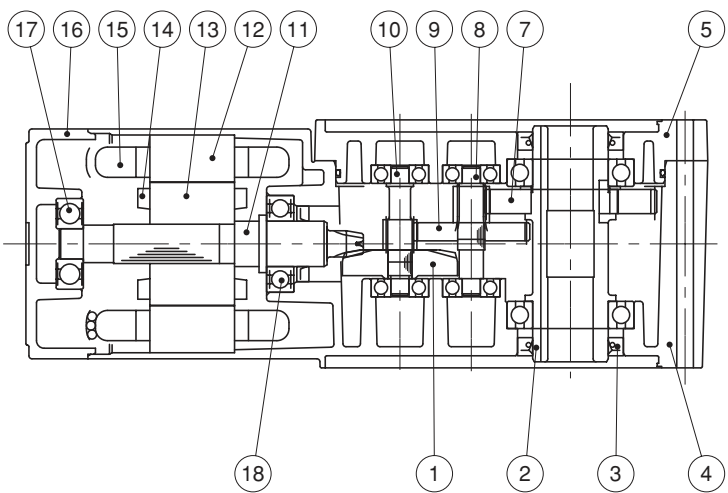


Fig.45 RNYM0025-03-240

No.	Part name	No.	Part name	No.	Part name
1	Hypoid gear	7	Gear	13	Rotor core
2	Output shaft	8	Pinion shaft	14	Rotor conductor short circuit ring
3	Oil seal	9	Gear	15	Stator windings
4	Casing	10	Pinion shaft	16	End bracket
5	Cover	11	Hypoid pinion shaft	17	Bearing metal
6	Seal cap	12	Stationary core	18	Bearing metal

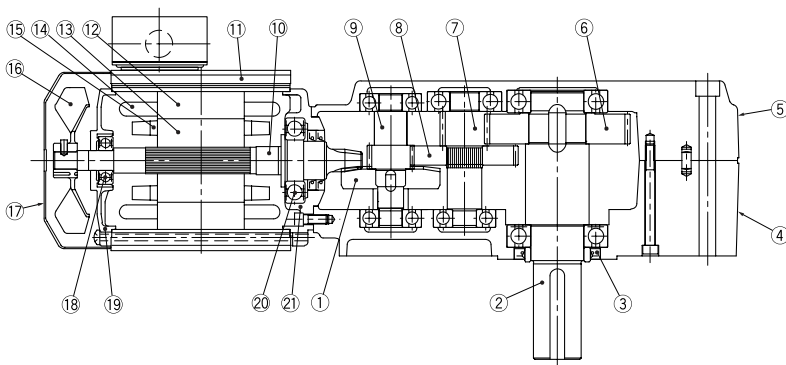


Fig.46 RNFM1-50R-120

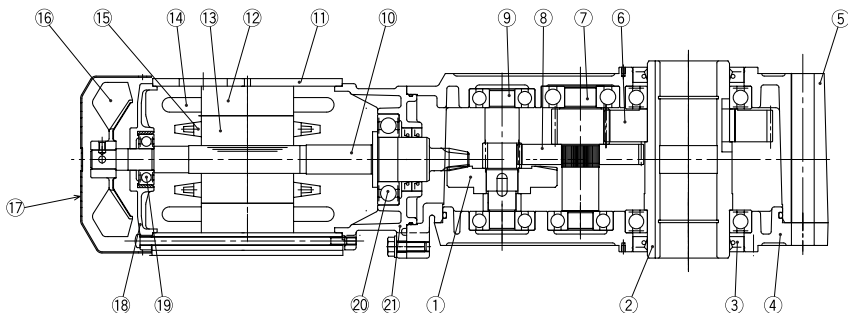


Fig.47 RNYM1-1530-120

No.	Part name	No.	Part name	No.	Part name
1	Hypoid gear	8	Gear	15	Rotor conductor short circuit ring
2	Output shaft	9	Pinion shaft	16	Fan
3	Oil seal	10	Hypoid pinion shaft	17	Fan cover
4	Case (1)	11	Motor frame	18	End bracket
5	Case (2)	12	Stationary core	19	Bearing metal
6	Gear	13	Rotor core	20	Bearing metal
7	Pinion shaft	14	Stator windings	21	Cyclo flange bracket